



ALL FOR SHOPS AND WAREHOUSES

VVN

Wheel loaders

Easy maintenance & outstanding after-sales services
Complete line of applications and accessories
Pilot control system, automatic leveling



Models described in the catalog:

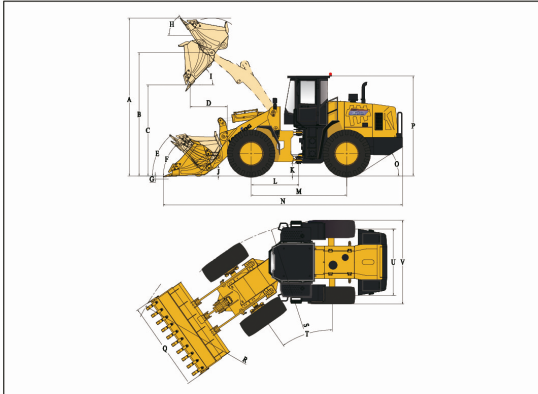
VVN WL 42	VVN WL2 42	VVN WL 43	VVN WL 55	VVN WL 56
VVN WL 65	VVN WL 100	VVN WL 111	VVN WL2 111	VVN WL3 111
VVN WL4 111	VVN WL 112	VVN WL 113	VVN WL 115	VVN WL 116
VVN WL 117	VVN WL2 117	VVN WL3 117	VVN WL4 117	VVN WL5 117
VVN WL6 117	VVN WL 118	VVN WL 200	VVN WL 201	VVN WL2 201

VVN WL 113

overall specifications

DIMENSIONS

All dimensions are approximate. Dimensions may vary with bucket and tire choice. Refer to operating specifications.



NO.	DESCRIPTION	UNIT	DIMENSIONS
A	Overall Height – Bucket Raised	mm	4898
B	Bucket Pin Height at Max. Lift	mm	3767
C	Dump Clearance at Max. Lift (45°)	mm	2915
D	Reach at Max. Lift and 45° Dump	mm	1110
E	Rack Back Angle at Carry	°	51
F	Rack Back Angle at Ground	°	45
G	Digging Depth	mm	40-45
H	Rack Back Angle at Max. Lift	°	47
I	Dump Angle at Max. Lift	°	45
J	Carry Height	mm	400
K	Ground Clearance	mm	567
L	Center Line of Front Axle to Hitch	mm	1070
M	Wheel Base	mm	2950
N	Overall Length	mm	7270
O	Departure Angle	°	30
P	Height to Top of Cab	mm	3300
Q	Overall Width over Bucket	mm	2800
R	Min. Turning Radius over Bucket	mm	7812
S	Min. Turning Radius over Tires	mm	5837
T	Steering Angle – Left/Right	°	35
U	Width at Tread Center	mm	2060
V	Overall Width over Tires	mm	2580

OVERALL DATA

Bucket Capacity	2.3m ³
Rated Payload	4000kg
Operating Weight	13000±300kg
Traction Force	120±3kN
Breakout Force	115±3kN
L×W×H	7270×2800×3300mm

ENGINE&ELECTRICAL SYSTEM

Maker/Model	WEICHAI/WP6G175E22
Emission Standard	EPA (Tier II)/National II
Engine Type	4 Stroke, Turbocharged, Water-cooled, Direct Injection, Diesel Engine
Rated Power	129kW(175hp)/2200rpm
Maximum Torque	700N·m/1300-1500rpm
Bore x Stroke (mm)	105×130
No. of Cylinders/Displacement	6/6.75L
Compression Ratio	18.0
Air Cleaner	Three Stage Air Cleaner
Alternator	55Amp
Battery	2-24V/105Ah
Starting Motor	24V/6kW
Heating Capacity (W)	5000W
Cooling Capacity (W)	4700W

DRIVE TRAIN

Transmission Type	Planetary Powershift Transmission				
Shift Type	Mechanical Powershift Control				
Pressure of Transmission	1.2-1.5MPa				
Torque Converter Type	Single-stage, Duo-turbine, 4-element				
Torque Ratio	4.0				
Axles	Rigid Front Axle&Oscillating Rear Axle				
Rear Axle Oscillation (°)	±10°				
Differential	Conventional				
Main Reducer	Spiral Bevel, 1-stage Reduction				
Final Reducer	Planetary Reduction				
Tire	20.5-25 L-3 16PR TT				
Travel Speeds	km/h	1st	2nd	3rd	4th
	Forward	11.5	36		
	Reverse	16			

BRAKE SYSTEM

Service Brake	Single Circuit Caliper, Dry Brake
Setting Pressure	0.70-0.78MPa
Parking Brake	Flexible Shaft Controlled Caliper Brake
Emergency Brake	Flexible Shaft Controlled Caliper Brake

STEERING SYSTEM

Type	Hydraulic Load Sensing System		
Pump	Gear Pump, 138L/min • 2200rpm		
System Pressure	16MPa		
Cylinder	Type	Double Acting	
	Bore x Stroke	2-90×340mm	
Steering Angle	±35°		

HYDRAULIC SYSTEM

Type	Single-lever(Joystick) Control			
Pump	Gear Pump, 110L/min • 2200rpm			
Control Valve	2 Spool (Bucket&Boom)			
System Pressure	16MPa			
Cylinder	Lift Cylinder	2-125×769mm		
	Tilt Cylinder	1-160×495mm		
Joystick Control Pressure	2.5MPa			
Cycle Time (Sec)	Raise	Dump	Lower	Total
	6.0	1.2	4.3	11.5

SERVICE REFILL CAPACITY

Fuel Tank (L)	240L
Hydraulic Tank (L)	220/225 (3 rd Spool for Auxiliary Function)L
Crankshaft (L)	17L
Transmission (L)	46L
Front Axle/Rear Axle (L)	23L/23L

STANDARD EQUIPMENT

WEICHAI Engine	Single-lever(Joystick) Control
LONKING Transmission	Standard Lift&Bucket (2.3m ³)
Mechanical Powershift Control	ROPS&FOPS Cabin
LONKING Axles	Air Conditioner
Flexible Shaft Controlled Caliper Brake(Parking Brake)	Radio&MP3
	Mechanical Instrument Panel

OPTIONAL EQUIPMENT

Cold Starting (-35℃)	Warm-air Machine
Oil-bath Air Filter	High Lift &Additional Counterweight
20.5R25 ★★ L-3 TL	Quick-change Coupler
3 rd Spool for Auxiliary Function	Quick-change Bucket(2.3m ³)
Sliding Cabin Window	3 Piece Cutting Edge , Bolt-on Type Bucket
Electric Heating Rear Window	Enlarged Bucket(2.5m ³)
Lockable Oil Tank Cap	Side Jump Bucket(2.0m ³)
Rear View Camera	Fan in Cabin
Pressure Testing Connector	



ALL FOR SHOPS AND WAREHOUSES

LATVIA

SIA "Viss Veikaliem un Noliktavam"
41A - 224 Kan davas street, Riga, LV-10 83
Phone: +371 27727449 (latvian, english),
+371 22074120 (l atvian, russian, english),
+371 20330002 (latvian, russian, english)
E-mail: info@vvn.lv

www.vvn.lv

LITHUANIA

Phone: +370 70066080
E-mail: info@vvn.lt
www.vvn.lt

NORWAY

Phone: +47 219558 68
E-mail: info@vngroup.no
www.vngroup.no

ESTONIA

Phone: +372 634633 2,
+372 63463 42
E-mail: info@vvn.ee
www.vvn.ee

DENMARK

E-mail: info@vngroup.dk
www.vngroup.dk

FINLAND

Phone: +358 7532633 23
E-mail: info@vvn.fi
www.vvn.fi

RUSSIA

Phone: +7 849960925 1 5
E-mail: info@vngroup.ru
www.vngroup.ru

SWEDEN

Phone: +46 107502388
E-mail: info@vngroup.se
www.vngroup.se

BELARUS

Phone: +375 849960925 1 5
E-mail: info@vngroup.by
www.vngroup.by