



ALL FOR SHOPS AND WAREHOUSES

VVN

Wheel loaders

Easy maintenance & outstanding after-sales services
Complete line of applications and accessories
Pilot control system, automatic leveling



Models described in the catalog:

VVN WL 42

VVN WL2 42

VVN WL 43

VVN WL 55

VVN WL 56

VVN WL 65

VVN WL 100

VVN WL 111

VVN WL2 111

VVN WL3 111

VVN WL4 111

VVN WL 112

VVN WL 113

VVN WL 115

VVN WL 116

VVN WL 117

VVN WL2 117

VVN WL3 117

VVN WL4 117

VVN WL5 117

VVN WL6 117

VVN WL 118

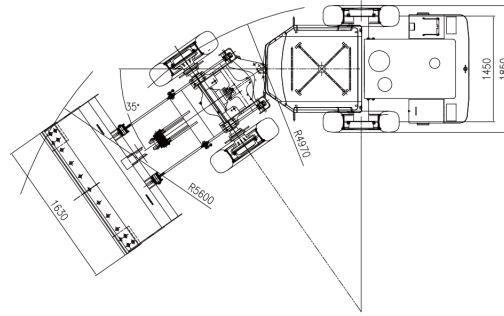
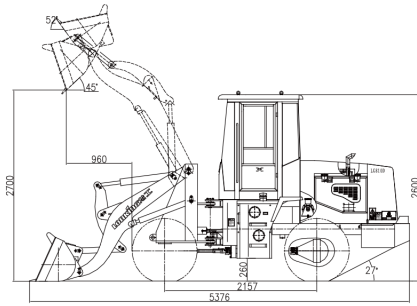
VVN WL 200

VVN WL 201

VVN WL2 201

VVN WL 42

overall specifications



Overall Data

Bucket Capacity (m ³)	0.5	
Rated Payload (kg)	1000	
Operating Weight (kg)	4200	
Traction Force (kN)	31	
Breakout Force (kN)	36	
Max. Travel Speeds(km/h):		
	I	II
Forward	8.3	20.8
Reverse	7.7	19.0

Engine Changchai 490B

Rated Power (kW/rpm)	34/2400
Rated Torque (Nm/rpm)	150/1800
Starting Voltage (V)	24

Drive Train

Torque Converter	Single-stage, Single-turbine, 3-element
Torque Ratio	3.7
Transmission	Fixed Shaft Hydraulic Shift Spur Gear
Gear	2F/2R
Pressure of Transmission (MPa)	1.2-1.5
Main Reducer	Spiral Bevel Gear Single-stage Reduction
Final Reducer	Planetary Reduction
Tire	11.00-16

Brake System

Service Brake	Air Drive, Four Wheel Brake (Dry)
Setting Pressure (MPa)	0.78
Parking & Emergency Brake	Flexible Shaft Controlled Caliper

Standard Optional

Qingzhou Transmission	Light-duty Grapple (ZZ)
Feicheng Axle	
Standard Bucket	

Steering System

Type	Hydraulic Load Sensor System
Cylinders-BorexStroke (mm)	2-63X280
Steering Pump	Shared With Working Pump
System Pressure (MPa)	14
Steering Angle	±35°

Hydraulic System

Lift Cylinders-BorexStroke (mm)	2-80X610
Tilt Cylinder-BorexStroke(mm)	1-100X450
Working Pump	Gear Pump
Flow Rate(L/min/rpm)	120/2400
System Pressure (MPa)	16

Hydraulic Cycle Time, Rated Load in Bucket (In Second):

Raise (Loaded)	Dump	Lower (Empty)	Total
4.5	1.2	2.2	7.9

Electrical System

System Voltage (V)	24
Battery (2 in series) (Ah)	180
Lamp Voltage (V)	24

Service Refill Capacity

Fuel Tank (L)	80
Hydraulic Tank (L)	80
Transmission (L)	16
Front Axle (L) / Rear Axle (L)	8/8



ALL FOR SHOPS AND WAREHOUSES

LATVIA

SIA "Viss Veikaliem un Noliktavam"
41A - 224 Kan davas street, Riga, LV-10 83
Phone: +371 27727449 (latvian, english),
+371 22074120 (l atvian, russian, english),
+371 20330002 (latvian, russian, english)
E-mail: info@vvn.lv

www.vvn.lv

LITHUANIA

Phone: +370 70066080
E-mail: info@vvn.lt
www.vvn.lt

NORWAY

Phone: +47 219558 68
E-mail: info@vvn.no
www.vvn.no

ESTONIA

Phone: +372 634633 2,
+372 63463 42
E-mail: info@vvn.ee
www.vvn.ee

DENMARK

E-mail: info@vvn.dk
www.vvn.dk

FINLAND

Phone: +358 7532633 23
E-mail: info@vvn.fi
www.vvn.fi

RUSSIA

Phone: +7 849960925 1 5
E-mail: info@vvn.ru
www.vvn.ru

SWEDEN

Phone: +46 107502388
E-mail: info@vvn.se
www.vvn.se

BELARUS

Phone: +375 849960925 1 5
E-mail: info@vvn.by
www.vvn.by